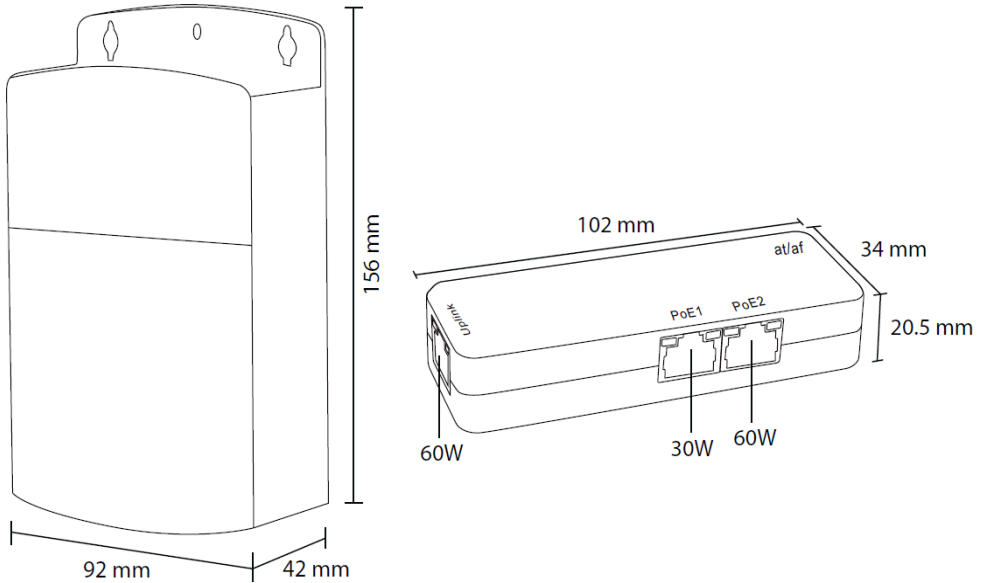


## DATASHEET TR-EXP1130-3-IP65



**TR-EXP1130-3-IP65** is a PoE extender with data transfer ports supporting 10/100 Mbps with the ability to supply power to connected devices via twisted pair cable.  
10/100 Mbit/sec with the ability to supply power to connected devices via twisted pair cable.

### Basic equipment:

- PoE extender ..... 1pcs.
- Mounting box ..... 1pcs.
- Datasheet ..... 1pcs.

### Warranty Service:

- One year warranty service from the date of sale.
- In case of the warranty card absence, the warranty period is determined from the date of sale.

# Specification:

<b>Model</b>	<b>TR-EXP1130-3-IP65</b>		
<b>Ethernet ports</b>	1 x 10/100 Mbps (RJ45, Uplink) 2 x 10/100 Mbps (RJ-45, PoE)		
<b>Port operation mode</b>	Uplink: in (PD)	PoE1: in / out (PSE-PD)	PoE2: in / out (PSE-PD)
<b>Switching method</b>	Store-and-Forward		
<b>Switching capacity</b>	0,6 Gbps		
<b>Packet forwarding rate</b>	0,4464 Mln/sec		
<b>MAC address table size</b>	2000 Kbit		
<b>Packet buffer size</b>	1204 Kbit		
<b>Network standards</b>	IEEE 802.3i 10BASE-T IEEE 802.3u 100BASE-TX IEEE 802.3x Flow Control		
<b>Transmission range, cable type:</b>	10BASE-T: UTP category cable 5, 5e (≤130 m) 100BASE-TX: UTP category cable 5, 5e (≤130 m)		
<b>Cascade connection<sup>1</sup></b>	Up to 5 devices		
<b>PoE standards</b>		PoE1: IEEE802.3af/at	PoE2: IEEE802.3af/at/bt
<b>PoE method</b>		PoE1: A/B	PoE2: A/B
<b>Maximum capacity per port</b>	Uplink: ≤60W	PoE1: ≤30W	PoE2: ≤60W
<b>Watchdog<sup>2</sup></b>	Supported		
<b>Installation</b>	Desktop, wall-mounted		
<b>Material</b>	Plastic		
<b>Power</b>	48-55V DC		
<b>Lightning protection</b>	Standard mode 4kV Differential mode 4kV		
<b>Electrostatic discharge protection</b>	Air discharge 10kV Contact discharge 8kV		
<b>Maximum power capacity</b>	60 W		
<b>Ingress Protection Code</b>	IP63		
<b>Working temperature</b>	-30°C...50°C		
<b>Permissible humidity level</b>	10 – 90 %		
<b>Weight, kg</b>	GROSS: 0.2 NET: 0.15		
<b>Dimensions of the device (W x D x H), mm</b>	102 x 34 x 20.5		
<b>Dimensions of the mounting box (W x D x H), mm</b>	156 x 92 x 42		
<b>Package dimensions (W x D x H), mm</b>	160 x 95 x 47		

<sup>1</sup> Total data and power transmission distance: up to 5 PoE extenders up to 650 m. 2 PoE extenders connected consecutively increase the connection distance up to 390 m (max. PoE port power consumption 34 W), 3 PoE extenders up to 520 m (max. PoE port power consumption 21 W), 4 PoE extenders up to 650 m (max. PoE port power consumption 17 W).

<sup>2</sup> Technology for monitoring the activity status of a connected device. Port rebooting with Watchdog support occurs within 280-420 seconds after losing connection with the device after 30 minutes from the device's startup.

**DATE OF SALE**

**SERIAL NUMBER**