

Specification

Model	TR-D2324WDZIR9
Image sensor	1/2.8" CMOS 2MP
Max resolution	2MP(1920x1080)
Main stream	50Hz: 2MP@25fps (WDR on) 2MP@50fps (WDR off) 60Hz: 2MP@30fps (WDR on) 2MP@60fps (WDR off)
Substream	50Hz: 720p@25fps (WDR on) 720p@50fps (WDR off) 60Hz: 720p@30fps (WDR on) 720p@60fps (WDR off)
Third stream	50Hz: 4CIF@25fps (WDR on) 4CIF@50fps (WDR off) 60Hz: 4CIF@30fps (WDR on) 4CIF@60fps (WDR off)
Electronic shutter speed	1/2 ~ 1/1 000 s
Day/Night mode	Mechanical ICR
Sensitivity	0.002Lux (F1.6)
IR range	up to 90 m
Lens (mm)	5 - 50 (motorzoom)
Field of view (horiz./vert.)	45°-9°±5° / 25°-6°±5°
Axes setting	Pan: 0°-360° Tilt: 0°-90° Rotation: 0°-360°
WDR	Real WDR (120dB)
Digital noise reduction	3D DNR
Video compression	H.265+ / H.265 / H.264
Bitrate	up to 8Mbps
Local storage	MicroSD up to 256GB
Audio	Built-in microphone Audioinput / Audiooutput
Alarm inputs/outputs	1 / 1
Corridor mode	Yes
IVS	Yes
RTC	No

General

Power supply	PoE (802.3af) / 12V DC
PoE Class	0
Power consumption	DC: 10.2W PoE: 11W
Case material	Metal
Dimensions (mm)	234.33 x 77.5 x 73.4
Weight Net/Gross (g)	640 / 830
Protection	IP67, IK08
Power surge suppressor	TVS 4000V
Working temperature	-50°C ... +60°C
Cold start	-50°C

TR-D2324WDZIR9

Outdoor IR Bullet Network Camera



Technical support

[www: helpdesk.trassir.com](http://www.helpdesk.trassir.com)

[mail: helpdesk@trassir.com](mailto:helpdesk@trassir.com)

Data _____ Stamp _____

Here is the confirmation form for warranty assurance

Note: read user manual before using
Website: www.trassir.com
For any inquiry: info@trassir.com

Introduction

Congratulations on purchasing TR-D2324WDZIR9 IP camera.
Please read User Manual before using the camera.

Key features

- Supports H.265+
- Wide Dynamic Range (Real WDR 120dB)
- IR range up to 90 m
- Built-in video archive (Edge Storage) – local recording on MicroSD card* up to 256GB
- Two-way audio (1 in / 1 out, built-in microphone)
- Alarm inputs / outputs: 1/1
- IVS: Face detector; Human detection; Line crossing; Intrusion detection; People counting; Loitering; Vehicle detection
- TCP/IP, HTTP, FTP, DHCP, DNS, DDNS, RTP, RTSP, RTCP, PPPoE, UPnP, SMTP, NTP, Onvif protocols
- Power supply 12V DC or PoE

* MicroSD Card is not included into camera package

Camera package

1. IP camera 1 pc.
2. User Manual 1 pc.
3. Mounting kit 1 pc.

Attention!

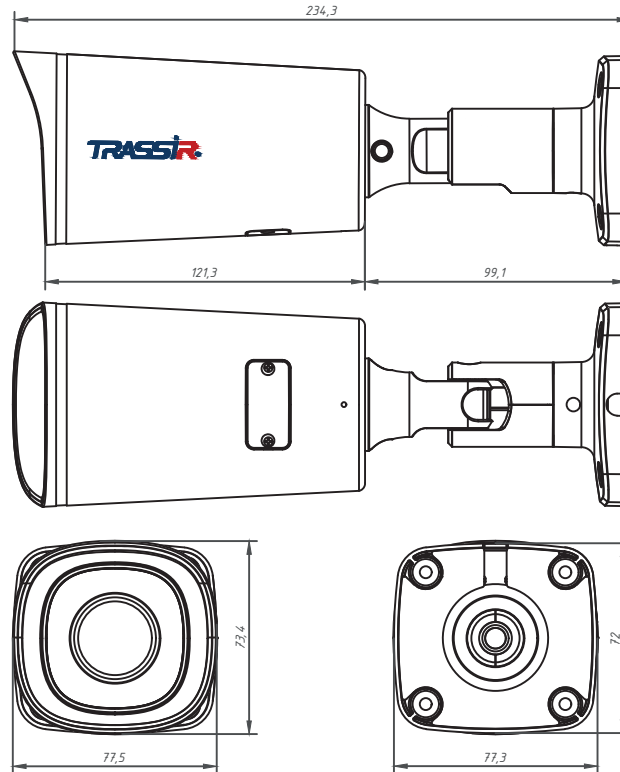
The power supply should meet the following requirements: output voltage, current, polarity, and working temperature. When using the camera in thunderstorm conditions, make sure there is a lightning rod or unplug the power connector.
Pay attention to the temperature requirements for IP camera operation. Avoid using the device in excessively high or low temperatures. Do not install the camera near heaters. Do not point the camera lens at the sun or at bright objects as this can damage the image sensor.

Connecting

To get started with IP camera you need a PC connected to the local network with Windows installed and Internet Explorer version 8 or higher.

1. Connect the IP camera to the network.
2. When the camera is connected through the switch which doesn't support PoE, connect the adapter to the power jack.

Dimensions



Manual setting of network parameters

In order to connect to the IP camera, the PC should be in the same local network as the camera. The IP address of the camera, the PC and any other device on the network should not match.

IP camera has the following default settings:

- IP address: 192.168.1.188
- Subnet mask: 255.255.0.0
- Gateway: 192.168.1.1
- HTTP-port: 80
- username: admin
- password: admin

PC network settings example:

- IP address: 192.168.1.10;
- Subnet mask: 255.255.0.0.

There are 3 options to set up your camera:

1. Change IP address of a camera manually.
Start your browser, connect to IP camera and enter your username and password. Choose appropriate menu item and change network settings of IP camera.
2. Set up camera IP address using fast configuration utility that can be downloaded from www.trassir.com.
3. Change IP camera settings using TRASSIR professional software.

The product service life is 5 years.

You can find detailed camera settings instructions in User Manual that can be downloaded from trassir.com in the Technical documentation section.

Connect your camera to TRASSIR Cloud and watch video from your cell phone for free.