

65-

86 Inch Conference Flat Floor Mobile Support

HB-T-FMC

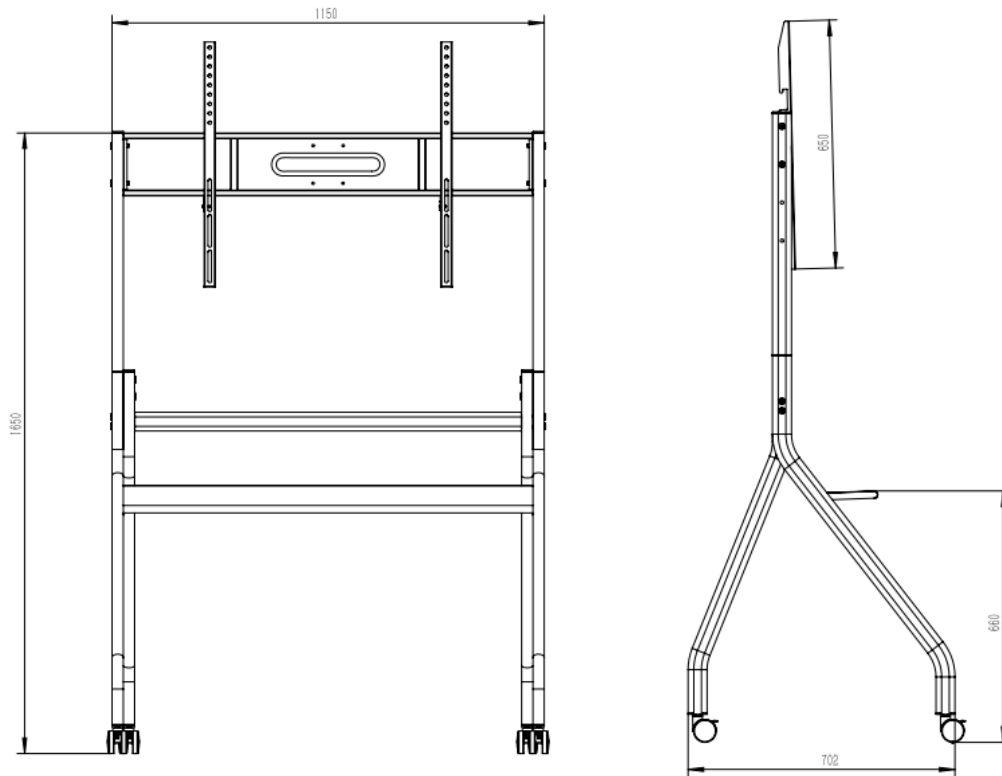


Specifications

General	Description
Product Dimensions (W*H*D) (mm)	1650*1150*702
Package Dimensions (W*H*D) (mm)	1180*420*195
Weight (Kg)	Net weight: 18 Gross weight: 19.5
Material	Sheet metal
Minimum screen bottom edge to ground (mm)	65": 794 75": 756 86": 770
Minimum screen top edge to ground (mm)	65": 1700 75": 1785 86": 1937
Maximum screen bottom edge t	65" : 1321

o ground (mm)	75": 1283 86": 1297
Maximum screen top edge to ground (mm)	65": 2227 75": 2312 86": 2464

Dimensions



Zhejiang Uniview Technologies Co., Ltd.

No. 369, Xietong Road, Xixing Sub-district, Binjiang District, Hangzhou City, 310051, Zhejiang Province, China

Email: overseasbusiness@uniview.com; globalsupport@uniview.com

<http://www.uniview.com>

©2023-2024 Zhejiang Uniview Technologies Co., Ltd. All rights reserved.

*Product specifications and availability are subject to change without notice.

*Despite our best efforts, technical or typographical errors may exist in this document. Uniview cannot be held responsible for any such errors and reserves the right to change the contents of this document without prior notice.